

Model	Mini Sorter for F24/F90/F85/F12/F23/F25/F13	Volt/Hz	Date of Modification	Serial Number
Modified Article	Upper Guide Plate and Guide Plate Arm (European version only)			
Reason for Modification	Due to parts standardization			

Due to parts standardization, the following parts have been changed. The interchangeability is O/O.

Page	Index	Old P/N	New P/N	Description
3	15	68032272	A4232272	Arm - Upper Guide Plate
3	15			Guide Plate Arm
3	42	68032151	A4232115	Upper Guide Plate

T.Ito, Manager
Copier Technical Support

MODEL NAME	V/Hz	DESTINATION	JAPAN PRODUCTION		REI PRODUCTION	
			CODE	SERIAL NUMBER	CODE	SERIAL NUMBER
RICOH CS2070	115/60	USA, CANADA	A414 -17		A414 - 06	
KALLE SORTER 20/26/32/40	220/50	EUROPE	A414 -26			
RICOH CS2070	220,240/50	EUROPE etc.	A414 -27			

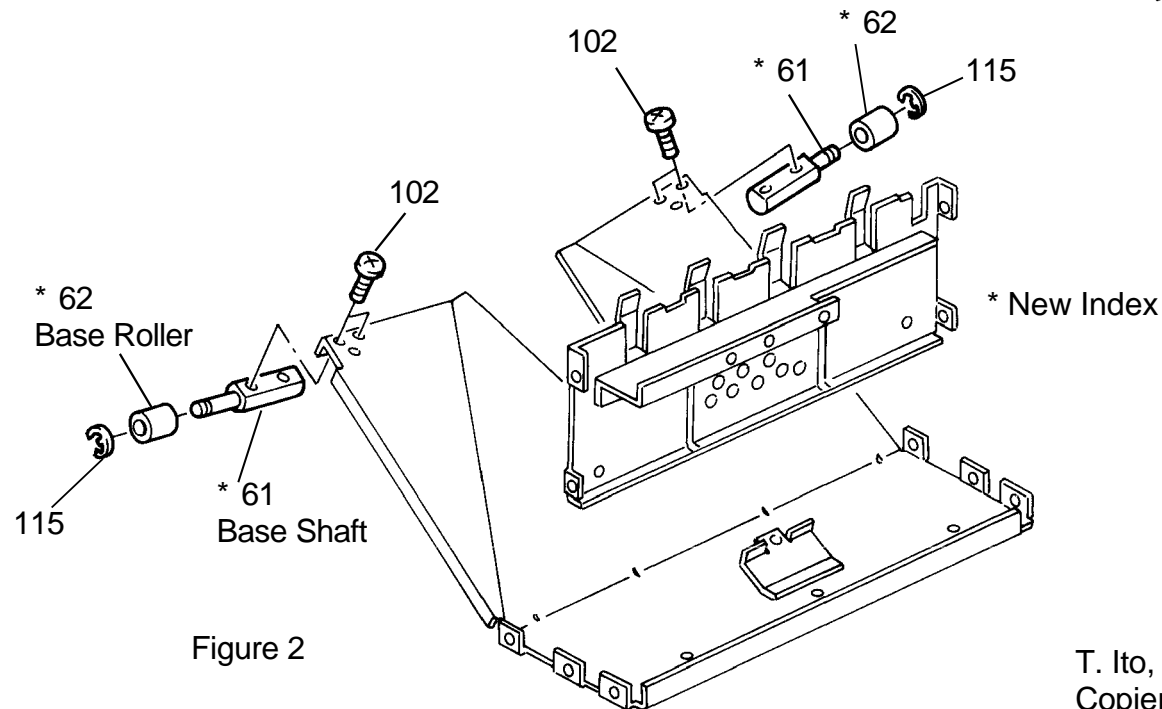
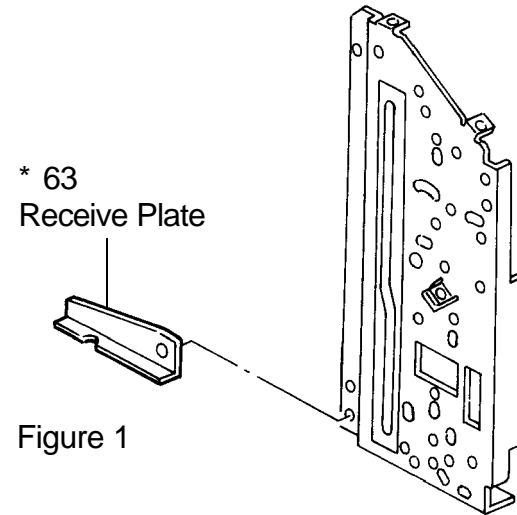
Model		Mini Sorter for F24/F90/F85/F12/F23/F25/F13 (European Version only)					Volt/Hz	Date of Modification	Serial Number	
Modified Article		Base Plate								
Reason for Modification		To improve reliability and durability								
Draw No.	Old Parts No.	New Parts No.	Description	A.B.C.	Q'ty Used Old → New	Inter-change-ability	Part needed for replacement by new part		Parts Catalog	
				Rank			Part No.	Description	Index No.	Page
	68031136	A4231126	Base Plate (Infotec)		1 → 1	O/O			29	3
	A4141131	A4231128	Base Plate (Ricoh)		1 → 1	O/O			29	3
		A4231144	Base Roller		0 → 2				* 62	3
		A4231143	Base Shaft		0 → 2			* New Index	* 61	3
		03140060W	Philips Pan Head Screw-M4 x 6		n → n+ 4				102	3
		07200040E	Retaining Ring-M4		n → n+ 2				115	3
		A4231145	Receive Plate		0 → 1				* 63	3
	68031115	A4231127	Bin Guide		2 → 2	O/O			55	3
	68032311	A4232311	Guide Plate		1 → 1	O/O			26	3

Rank: A : Replace with new parts immediately. B : Replace with new parts at time of repair. C : Replace with new parts at time of overhaul.
 Interchangeability:
 (1) When old and new parts are not mutually interchangeable, use additional parts or an assembly part as indicated in "Parts needed for replacement by new part" to install the new part.
 (2) The mark to the left of the slash indicates whether the old part can be used in the new machine, and the mark to the right indicates whether the new part can be used in the old machine. x = Not interchangeable o = Interchangeable

DETAILS OF MODIFICATION

To improve reliability and durability, the production machines of the European versions have been modified as follows:

1. To add the receive plate in order to ensure that this sorter stands steadily when the sorter is undocked from the copier, and put on the floor. (Figure 1)
2. To add the base roller and base shaft in order to reduce the friction between the base plate and lowest bin. (Figure 2)
3. To change the material of the bin guide and guide plate.



T. Ito, Manager
Copier Technical Support

MODEL NAME	V/Hz	DESTINATION	JAPAN PRODUCTION		REI PRODUCTION	
			CODE	SERIAL NUMBER	CODE	SERIAL NUMBER
RICOH CS2070	115/60	USA, CANADA	A414 -17		A414 - 06	
KALLE SORTER 20/26/32/40	220/50	EUROPE	A414 -26	Service Parts Only		
RICOH CS2070	220,240/50	EUROPE etc.	A414 -27	Service Parts Only		

Model	Mini Sorter for F24/F90/F85/F12/F13/F23/F25 (European Version Only)	Volt/Hz	Date of Modification	Serial Number
Modified Article	Bin Motor - 220V/240V			
Reason for Modification	Due to parts standardization with 115V version			

Due to parts standardization with 115V version, the bin motor has been changed. The interchangeability is O/O.

Old P/N	Old Description	New P/N	New Description	Page	Index
68035420	Bin Motor - 220V/240V	68035400	Bin Motor - AC14/17W	3	46

T. Ito, Manager
Copier Technical Support

MODEL NAME	V/Hz	DESTINATION	JAPAN PRODUCTION		REI PRODUCTION	
			CODE	SERIAL NUMBER	CODE	SERIAL NUMBER
RICOH CS2070	115/60	USA, CANADA	A414-17		A414-06	
KALLE SORTER 20/26/32/40	220/50	EUROPE	A414-26	Service Parts Only	A414-46	
RICOH CS2070	220,240/50	EUROPE etc.	A414-27	Service Parts Only	A414-47	

Model		Mini Sorter for F24/F90/F85/F12/F23/F25/F13					Volt/Hz	Date of Modification	Serial Number	
Modified Article		Guide stopper plate								
Reason for Modification		Prevention of the upper guide plate dislodgment								
Draw No.	Old Parts No.	New Parts No.	Description	A.B.C.	Q'ty Used Old New	Inter-changeability	Part needed for replacement by new part		Parts Catalog	
				Rank			Part No.	Description	Index No.	Page
		A4142311	Spring Plate - Guide Stopper		0 → 2				* 64	3
									* New Index	

Rank: A : Replace with new parts immediately. B : Replace with new parts at time of repair. C : Replace with new parts at time of overhaul.

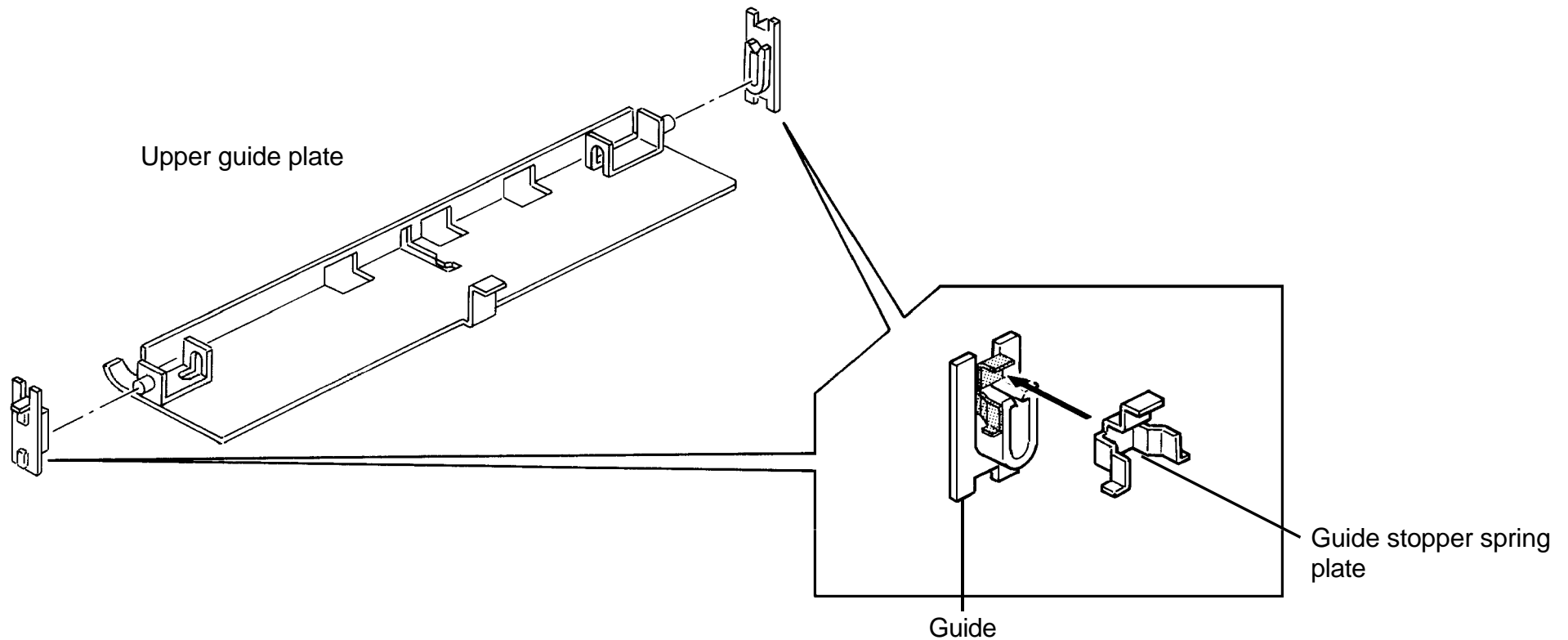
Interchangeability:

(1) When old and new parts are not mutually interchangeable, use additional parts or an assembly part as indicated in "Parts needed for replacement by new part" to install the new part.

(2) The mark to the left of the slash indicates whether the old part can be used in the new machine, and the mark to the right indicates whether the new part can be used in the old machine. x = Not interchangeable o = Interchangeable

DETAILS OF MODIFICATION

The upper guide plate may be dislodged from the guide if handled roughly when removing jammed paper from the sorter. To hold the upper guide plate, two guide stopper spring plates (front and rear) have been added to the production line.



T. Ito, Manager
Copier Technical Support

MODEL NAME	V/Hz	DESTINATION	JAPAN PRODUCTION		REI PRODUCTION	
			CODE	SERIAL NUMBER	CODE	SERIAL NUMBER
RICOH CS2070	115/60	USA, CANADA	A414 - 17	Service Parts Only	A414 - 06	
KALLE SORTER 20/26/32/40	220/50	EUROPE	A414 - 26	Service Parts Only	A414 - 46	
RICOH CS2070	220,240/50	EUROPE etc.	A414 - 27	Service Parts Only	A414 - 47	

Model	Mini Sorter for F24 / F90 / F85 / F12 / F23 / F25 / F13	Volt/Hz	Date of Modification	Serial Number
Modified Article	Solid State Relay - 240V / 2A			
Reason for Modification	Vender change			

Due to a vender change, the solid state relay has been changed.

Old P/N	New P/N	Description	Q'ty Used	Inter-change-ability	Parts Catalog	
					Index No.	Page
12081024	12081258	Solid State Relay - 240V / 2A	n → n	O/O	105	5

M. Iwasa, Manager
 Technical Support Department

MODEL NAME	V/Hz	DESTINATION	JAPAN PRODUCTION		REI PRODUCTION	
			CODE	SERIAL NUMBER	CODE	SERIAL NUMBER
SAVIN 20 Bin S. 2	115/60	USA	A414 - 15		A414 - 98	
RICOH CS2070	115/60	USA, CANADA	A414 - 17		A414 - 06	
KALLE SORTER 20/26/32/40	220/50	EUROPE	A414 - 26		A414 - 46	
RICOH CS2070	220,240/50	EUROPE etc.	A414 - 27		A414 - 47	